

4WE series directional control valves are solenoid operated directional spool valves, these valves are used to start, stop and direct oil flow.

Technical specification

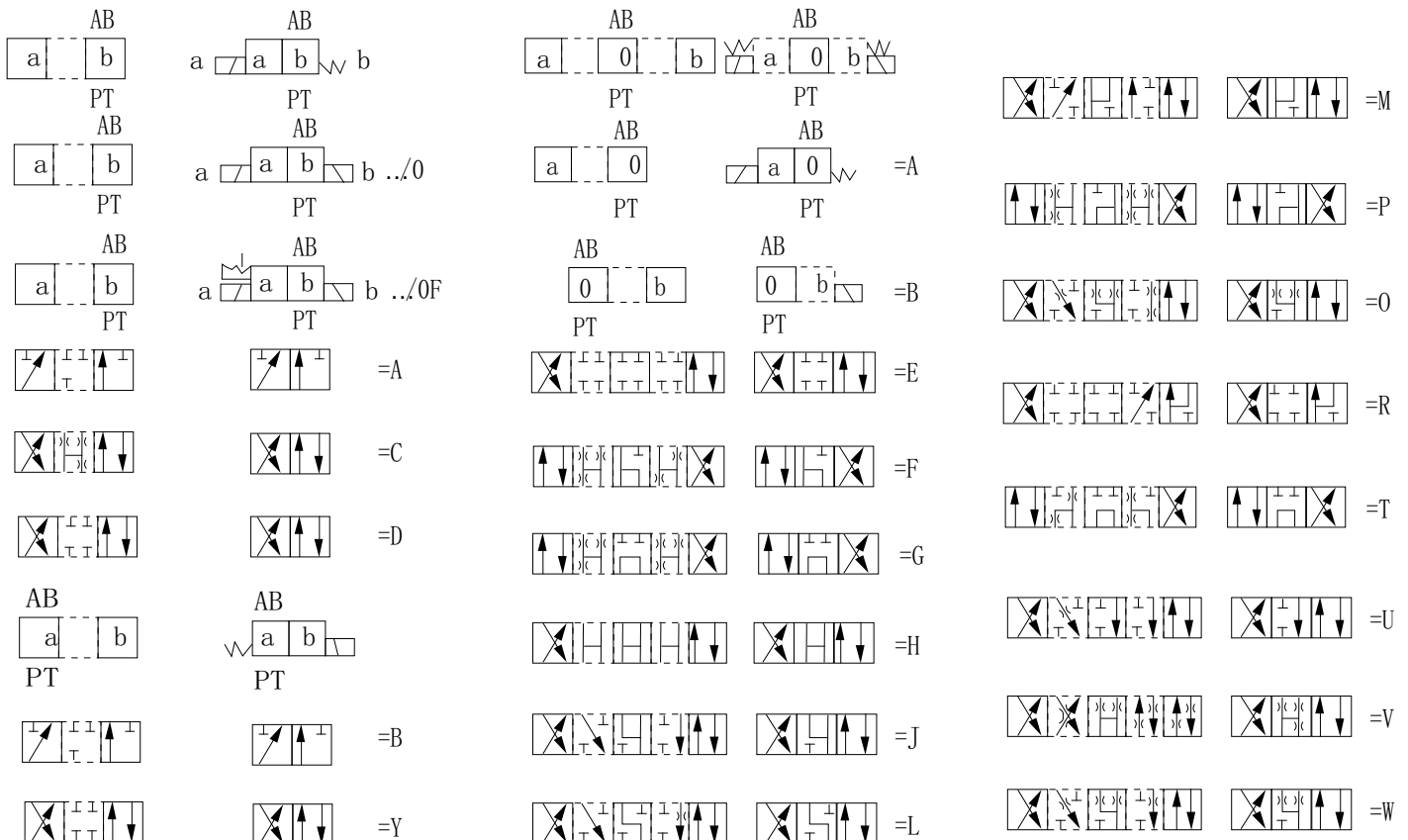
Model		4WE3	4WE4	4WE5	4WE6	4WE10
Max. flow rate (l/min)		15	20	14	80	100
Working pressure (MPa)		A, B, P port	A, B, P port	A, B, P port	A, B, P port	A, B, P port
		31.5	31.5	25	31.5	31.5
		T port	T port	T port	T port	T port
		10	10	6	16	16
Weight (kgs)	Single solenoid	0.55	0.83	1	1.5	4.8
	double solenoids	0.7	1.1	1.4	2.2	6.1



Ordering details

4WE	6	E	60	O	G24	N	Z4L
Sort	Nominal size	symbols	Series number	Spool return	Input voltage	Manual override	Connector type
4/3 and 4/2 Solenoid operated directional valve	3:NG3 4:NG4 5:NG5 6:NG6 10:NG10	See symbols list	61:WE3,4 50:WE4 60:WE5,6 30:WE10	Nocode: Spring return O: Without spring return OF: Without spring return with detent.	G12: DC12 G24: DC24 W220: AC220 W110: AC110 W220R: RAC220 W110R: RAC110	Nocode: Without manual override N: With manual override	Z4: Standard plug-in connector Z4L: Plug-in connector with light

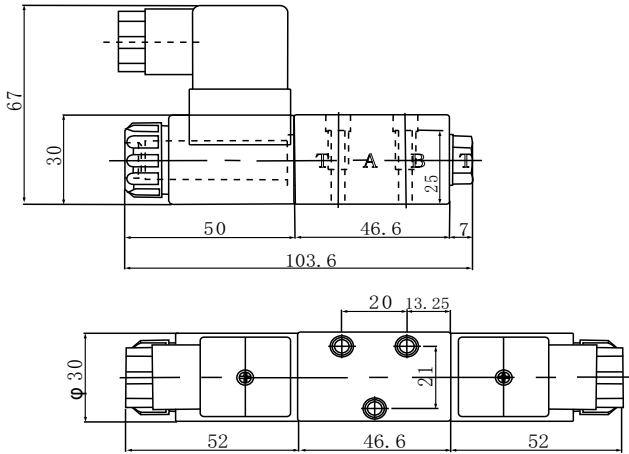
Symbol list



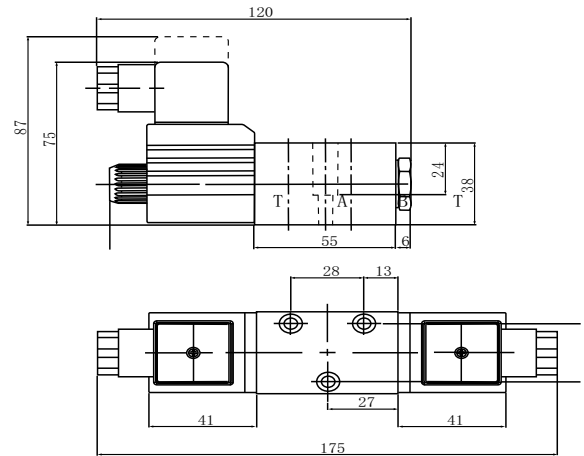
Dimensions

Unit:mm

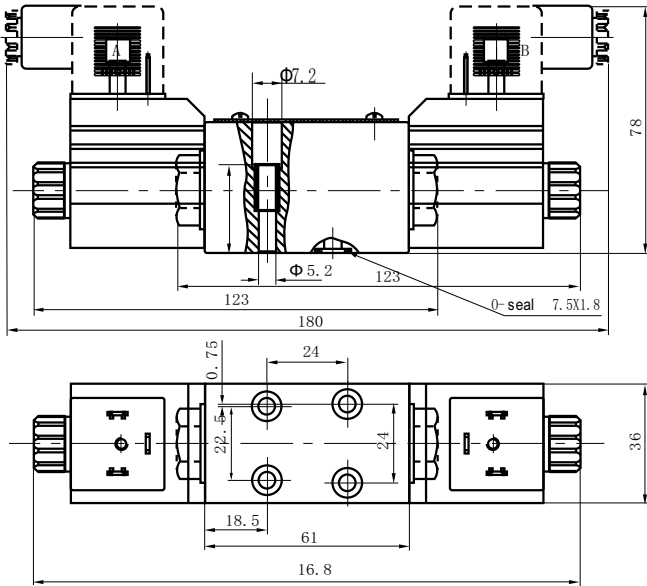
4WE3



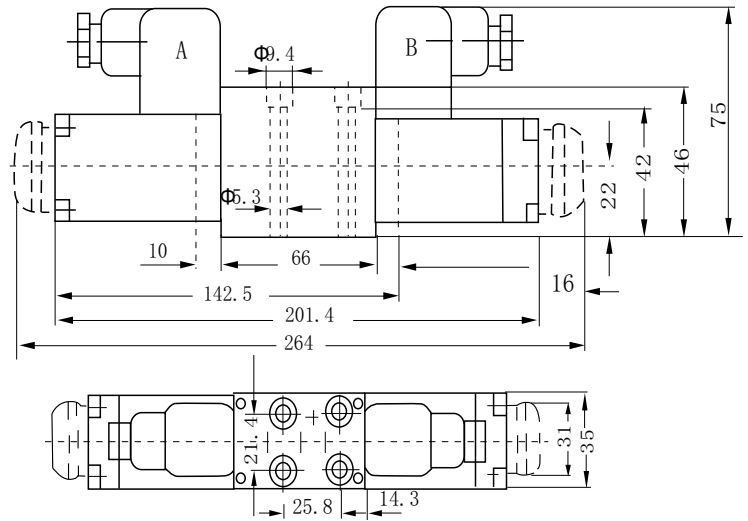
4WE4



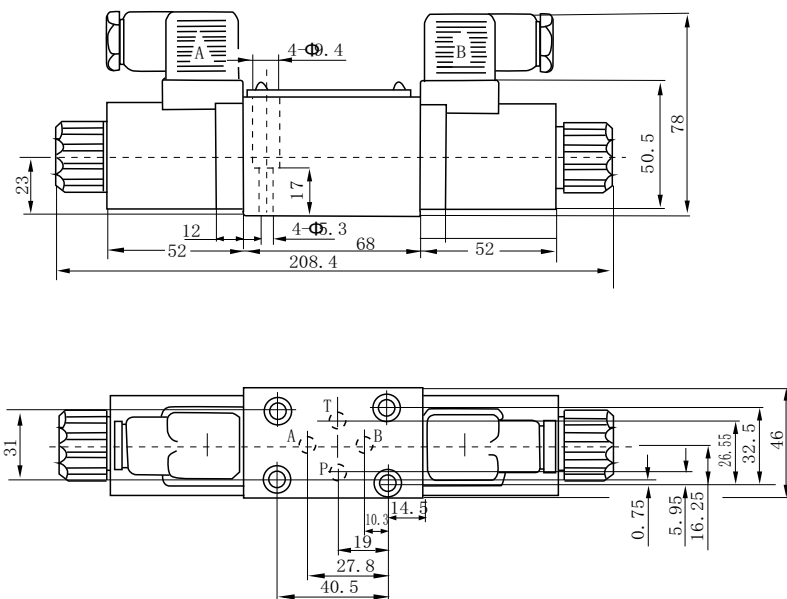
4WE4



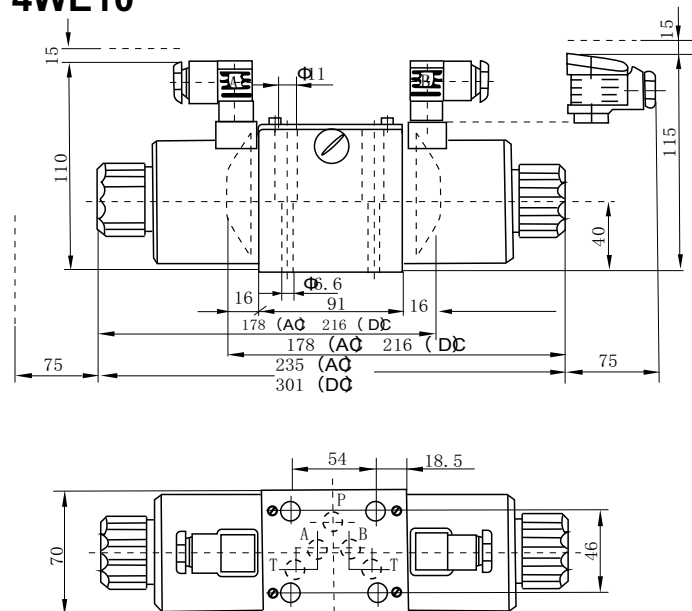
4WE5



4WE6



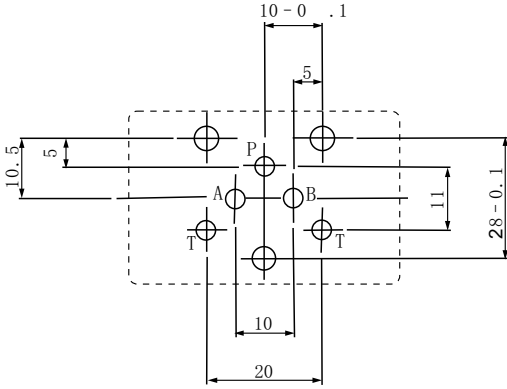
4WE10



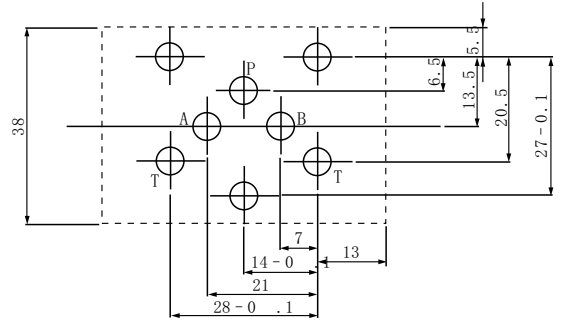
Mounting dimensions

Unit:mm

4WE3

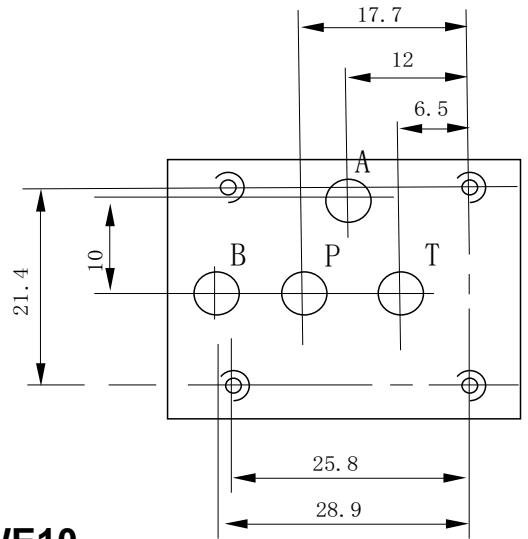
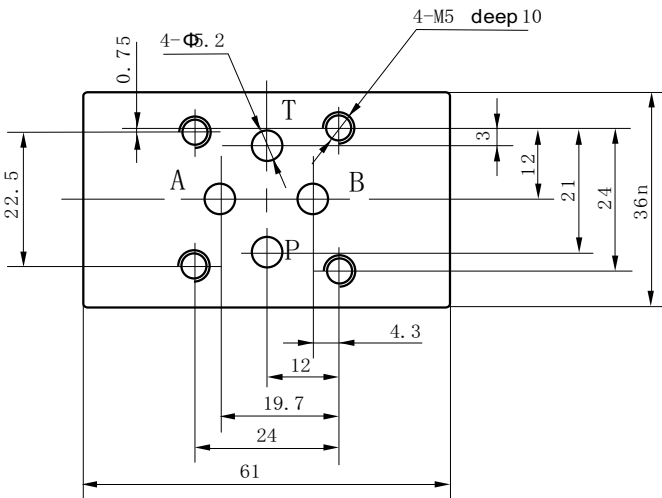


4WE4



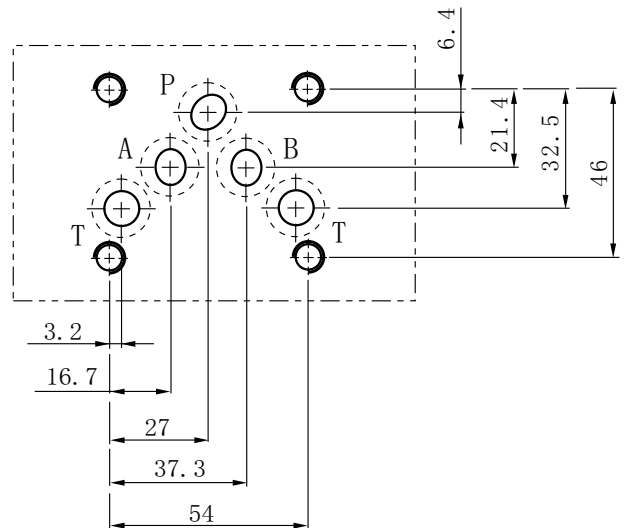
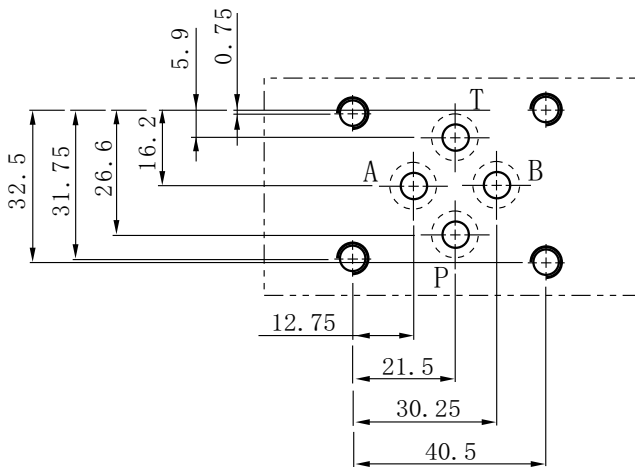
4WE4

4WE5



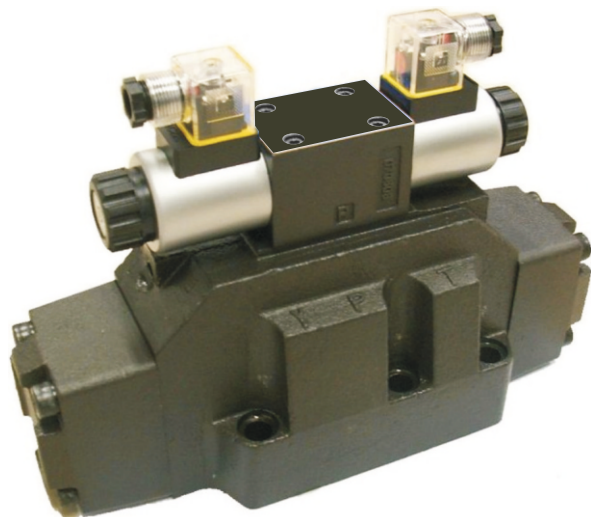
4WE6

4WE10



4WEH series solenoid pilot operated directional valves are solenoid pilot operated spool type valves. This series are used to control the start, stop and direction of flow.

4WH series hydraulic operated directional valves can be used to change the direction of hydraulic oil by moving the main spool when the valve receives a hydraulic signal from the pilot hydraulic coil.



Technical specification

Model		4WEH10	4WEH16	4WEH25	4WEH32
Max. flow rate (l/min)		160	300	500	1100
Working pressure (MPa)	A, B, P port	31.5			
	T port	External drain	25		
		Internal drain	16(DC) 10(AC)		
Y port	External control	16(DC) 10(AC)			
Max. operating pressure (MPa)		25			
Weight (kgs)	Pilot valve with single solenoid	1.5			
	Pilot valve with double solenoids	2.2			
	4WEH valve	6.5	7.3	16.5	39.5

Ordering details

4WEH	25	E	50	O	G24	N
Sort	Nominal size	symbols	Series number	Pilot solenoid valve spool return	Input voltage	Manual override
4WEH: Solenoid pilot operated directional valve 4WH: Hydraulic operated directional valve	10: NG10 Cetop5 16: NG16 Cetop7 25: NG25 Cetop8 32: NG32 Cetop10	See symbols list	20: NG10 50: NG16, NG25, NG32	Nocode: Spring return O: Without spring return OF: Without spring return with detent.	G12: DC12 G24: DC24 W220: AC220 W110: AC110 W220R: RAC220 W110R: RAC110	Nocode: Without manual override N: With manual override

ET	S	Z4L	P4.5	*
Oil control	Shifting time adjustment	Connector type	Pre-pressure valve	Remark
See oil control list	Nocode: Without shifting time adjustment S: Shifting time adjustment as meter-in control S2: Shifting time adjustment as meter-out control	Z4: Standard plug-in connector Z4L: Plug-in connector with light	Nocode: Without pre-pressure valve P4.5: With pre-pressure valve	Further requirements

Nocode	External control external drain
E	Internal control external drain
T	External control internal drain
ET	Internal control internal drain

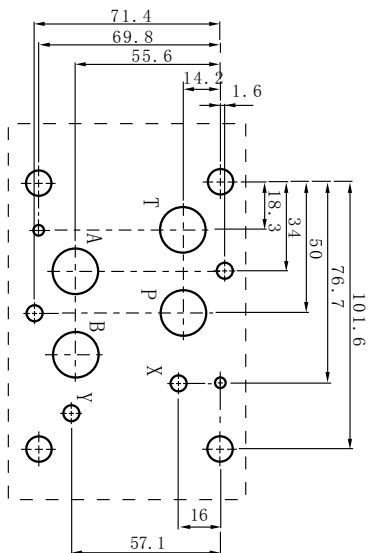
Symbolist



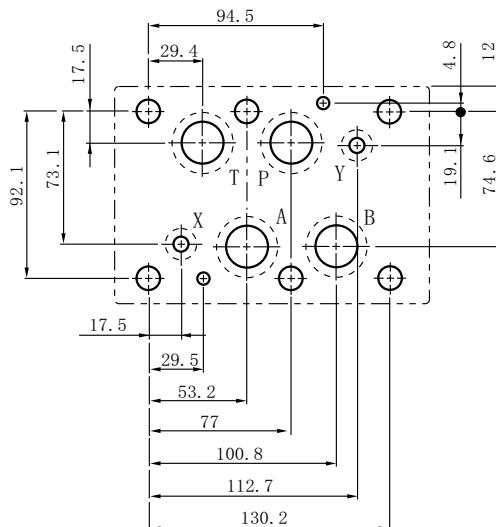
Mounting dimensions

Unit:mm

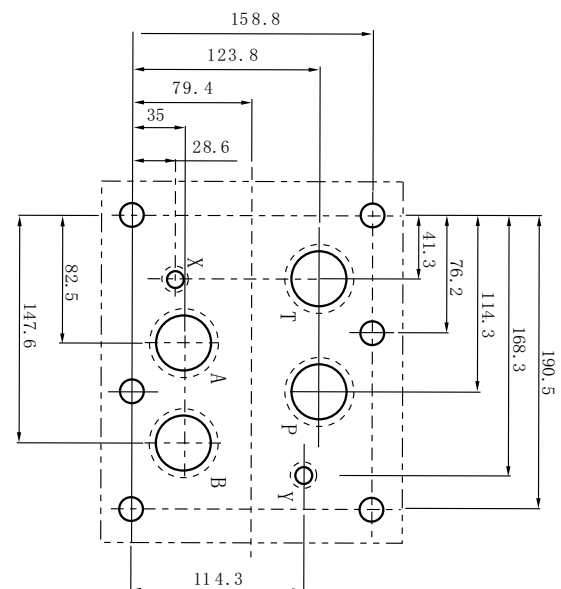
4WE16



4WE25



4WE32



DMseriesmanuallyoperateddirectionalvalvesaredirecttypedirectionalvalves, Itcancontrolthestart,stop&directionoffluidflow.Thisserieswithdetentorreturn springareavailable.

Orderingdetails

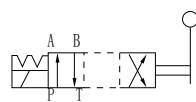
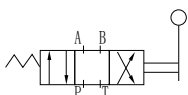
DM	G	02	3C2	W	10
Sort	Mounting type	Nominalsize	symbols	Spoolreturn	Design code
Manually operated directional valves	G:Subplate mounting T:Thread mounting	02:NG6Cetop3 03:NG10Cetop5 04:NG16Cetop7 06:NG25Cetop8 10:NG32Cetop10	See symbols list	W:Springreturn O:Withdetent	10



Technicalspecification

Model		DMG-02	DMG-03	DMG-04	DMG-06	DMG-10	DMT-03
Max.flowrate (l/min)		60	100	300	500	1100	100
Working pressure (MPa)	A,B,Pport	31.5					
	Tport	16					
Max.operatingpressure(MPa)		21					
Weight(kgs)		1.5	4	7.5	11.8	49.5	4

Symbolist



Springreturn

Withdetent

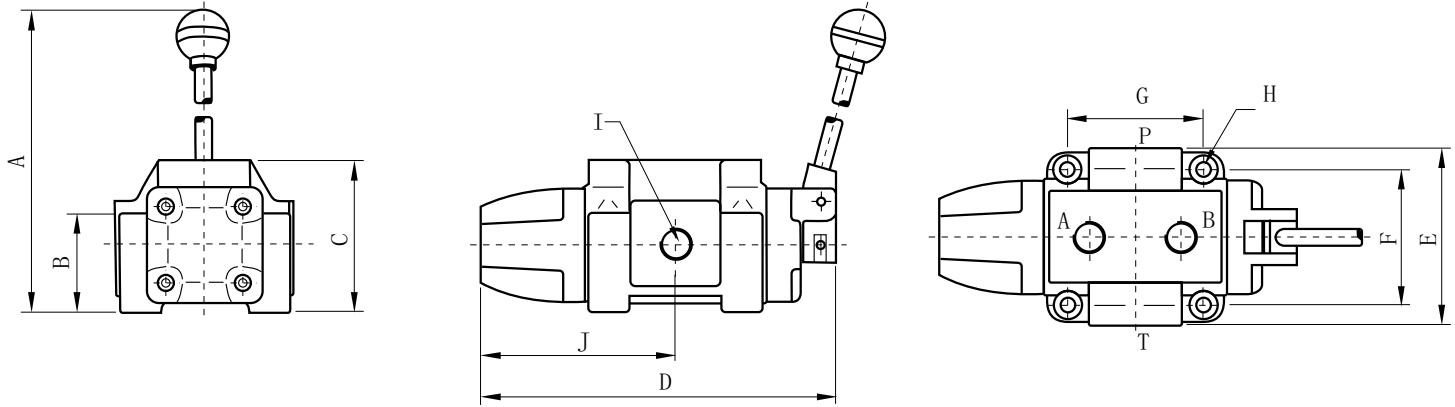
Code	Threepositions	Code	Two positions
3C2		2B2	
3C3		2B3	
3C4		2B20	
3C40		Code	Two positions
3C5		2B2S	
3C6		2B3S	
3C60		2B20S	



Dimensions

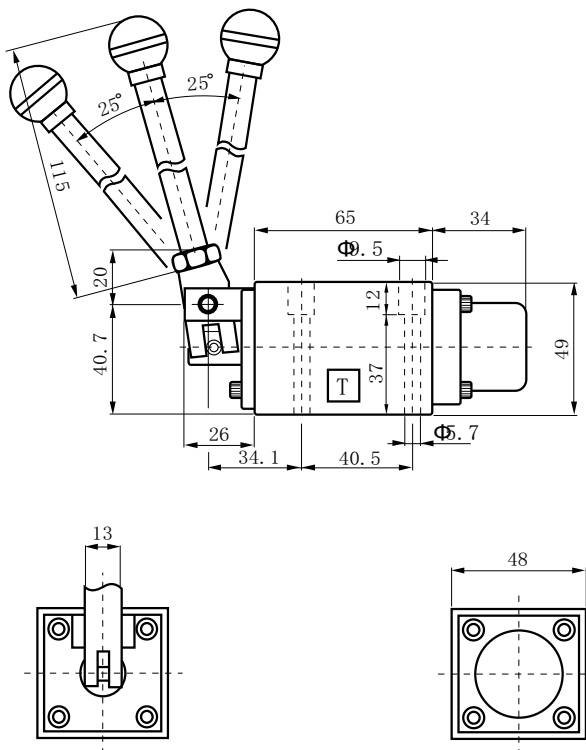
Unit:mm

DMT-03



Code	A	B	C	D	E	F	G	H	I	J
DMT-03	250	75	87	178	78	50	56	7	PT3/8"	96

DMG-02



DMG-03

